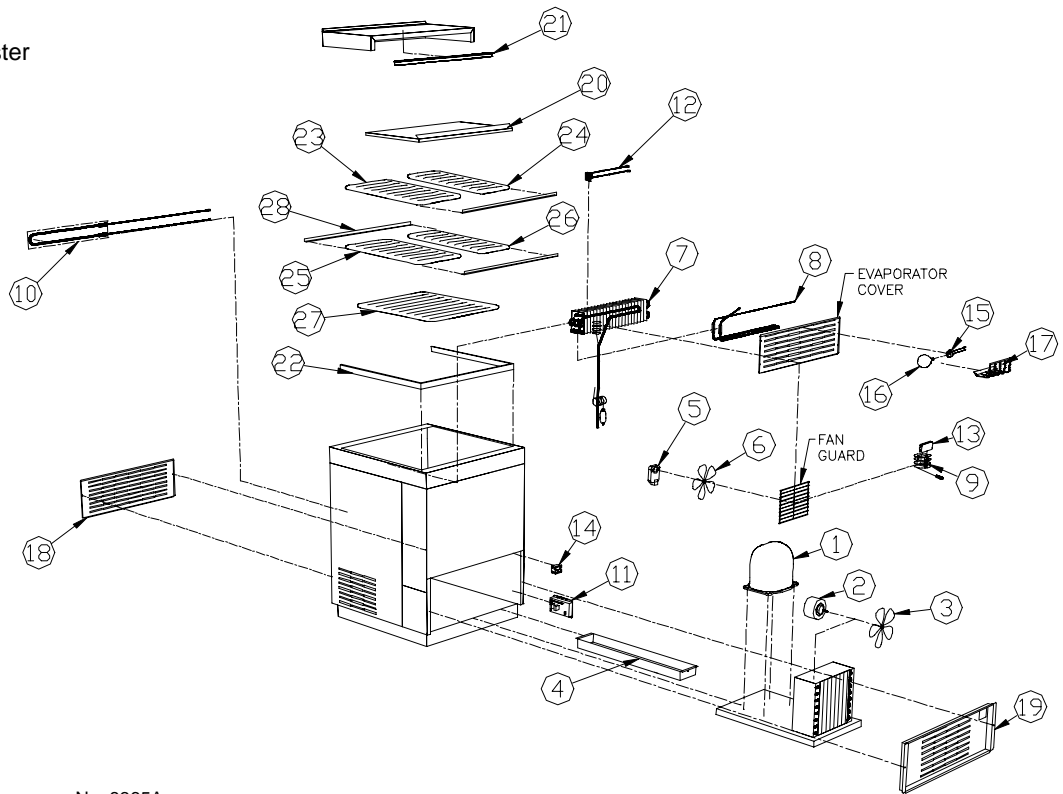


REPLACEMENT PARTS

GLASS FROSTERS

EXPLODED DRAWING OF
No. 8340 - 2 Foot Glass Froster



Item No.	No. 8340 Part No.	No. 8350 Part No.	No. 8365A Part No.	Description
1	57501	C22606-1	C22606-1	Replacement compressor for R134a unit
2	57513	57513	57513	Condensing Unit Fan Motor
3	C3150-3	C3150-3	C3150-3	Condensing Unit Fan Blade
4	C25665	62521	C29999	Condensate Pan
5	C15239A	C15239A	C15239A	Evaporator Fan Motor
6	C22370	C22370	C22370	Evaporator Fan Blade
7	C29992A	62530	C29993A	Evaporator Coil Assembly
8	C25655-1	61401-1	C25654-1	Evaporator Defrost Heater
9	C23095	C23095	C23095	Temperature Control
10	C30011-1	C30011-1	C30011-1	Cabinet heater
11	57466	57466	57466	Defrost timer
12	57676	57676	57676	Defrost Temp Limit Switch
13	C31059	C31059	C31059	Terminal Block
14	C31659	C31659	C31659	Rocker switch with pilot
15	C31022-1	C31046-1	C31046-1	Light Socket
16	C15046	C15046	C15046	7½ Watt Light Bulb
17	C25683	C25683	C25683	Light Bulb Guard
18	C29960-1G	C29960-1G	C29960-1G	Back Grille
19	C30844-1	62511-1	C30845-1	Front Grille (Stainless Steel Models)
19	C30844-1P	62511-1P	C30845-1P	Front Grille (Black Painted Models)
20	62758-1	62758-3	62857-2	Door assembly (Part number represents one door)
21	C27941-3	C27941-5	C27941-1	Top Wiper Gasket
22	C31703A	63059	C31704A	Breaker strip kit
23	C29937-2	C29937-2	C29937-2	Upper Shelf (All Models: 15 ³ / ₁₆ " x 11 ¹ / ₂ ")
24	C30025-2	C30025-2	C29991-2	Upper Shelf (Nos. 8340 & 8350: 15 ³ / ₁₆ " x 8" No. 8365A: 15 ³ / ₁₆ " x 10")
25	C29938-2	C29938-2	C29938-2	Lower Shelf (All Models: 19 ¹ / ₄ " x 11 ¹ / ₂ ")
26	C30026-2	C30026-2	C29990-2	Lower Shelf (Nos. 8340 & 8350: 19 ¹ / ₄ " x 8" No. 8365A: 19 ¹ / ₄ " x 10")
27	C29994-2	62545-2	C29989-2	Bottom Rack
28	C25672-1	61391-1	C25673-1	Shelf "L" Bracket
Not Shown				
	N/A	N/A	C25539	Center mullion assembly between doors
	C31067A	63048	C31075A	One complete set of upper & lower shelves
	C31066A	63047	C31074A	One set of lower shelves